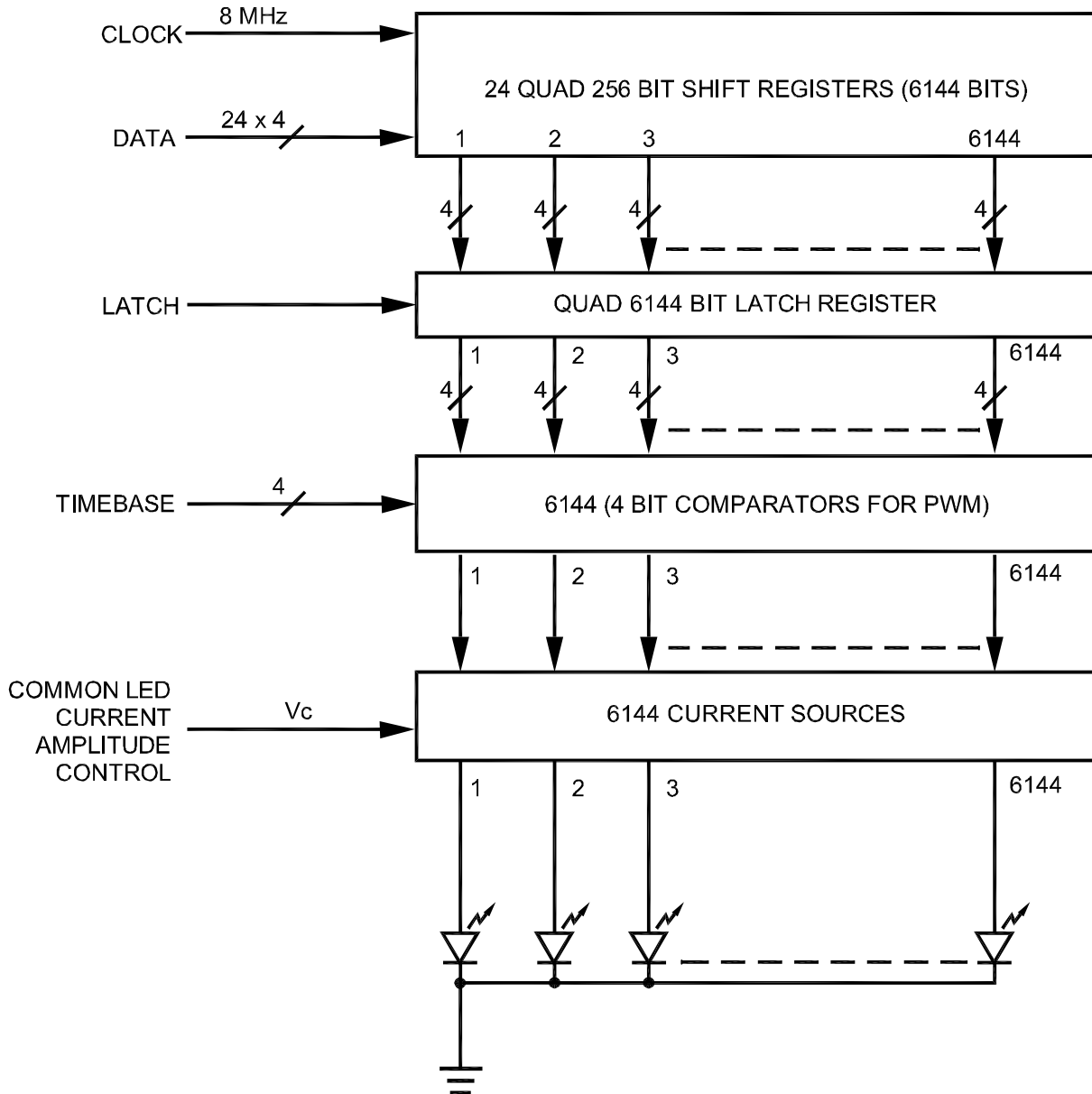


P300-6144 LED PRINTHEAD



24 (4 BIT) DATA CHANNELS OF 256 BITS EACH FOR AN EFFECTIVE BITRATE OF 192 x 4 MHz

OPT-905A-A