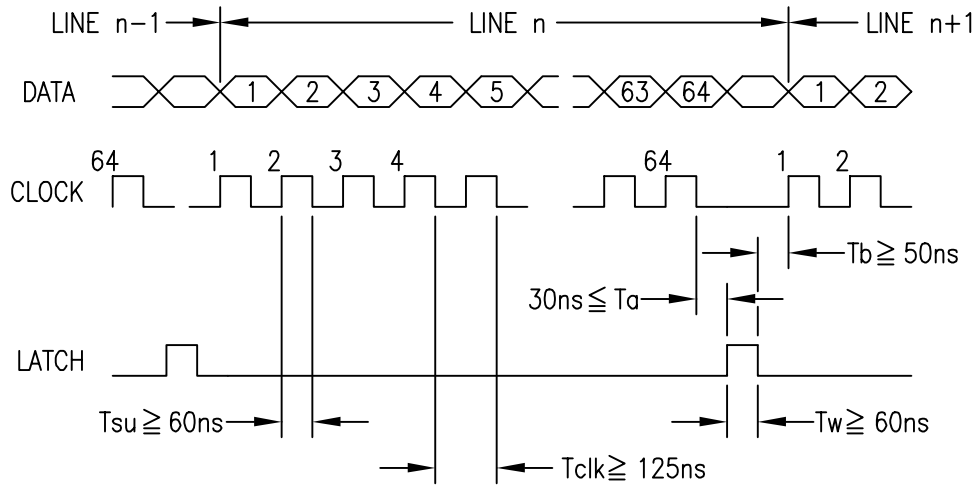


OTL-444A Interface Timing



SHIFT REGISTER: NEGATIVE EDGE TRIGGERED
 LATCH REGISTER: TRANSPARENT HIGH
 HOLD LOW
 ALL OTHER LOGIC ASYNCHRONOUS AND LEVEL ACTIVE

Fig. 4