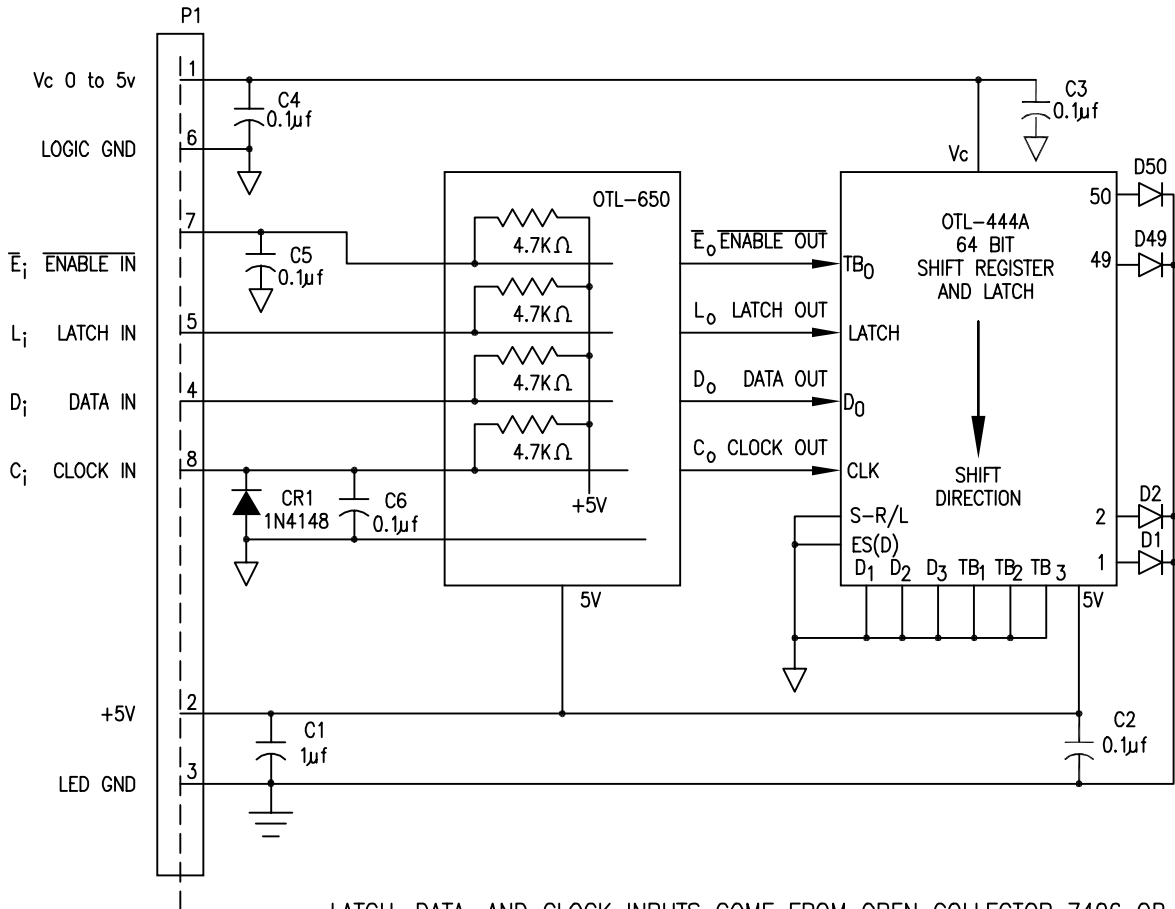


## Block Diagram for Model P25-50A Printhead with Integral Electronics



LATCH, DATA, AND CLOCK INPUTS COME FROM OPEN COLLECTOR 7406 OR 7407  
 ENABLE INPUT IS PROVIDED FROM AN OPEN COLLECTOR STA 401A DARLINGTON.